

I103 EASY INTEGRATED LASER (20 or 30 W)



+ VERSATILITY

- Marking on all types of materials and difficult surface conditions
- Surface or hollow marking
- 1D or 2D codes (Data Matrix) marking
- Images or vector logos marking

+ GREAT VALUE FOR MONEY

- SIC Marking fiber laser
- Fast and high quality marking
- Proven technology
- Suitable for intensive use in industrial environments

+ ROBUSTNESS AND RELIABILITY

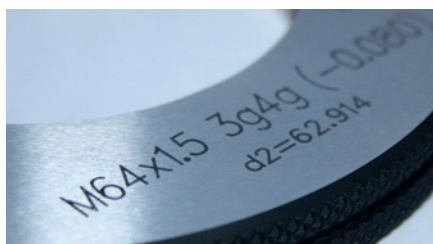
- Long-life components ($\geq 100\ 000$ h)
- Reduced maintenance
- 2 years warranty

+ EASE OF USE AND INTEGRATION

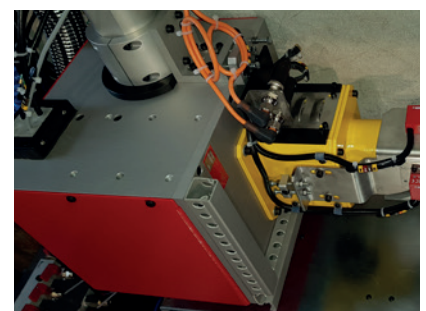
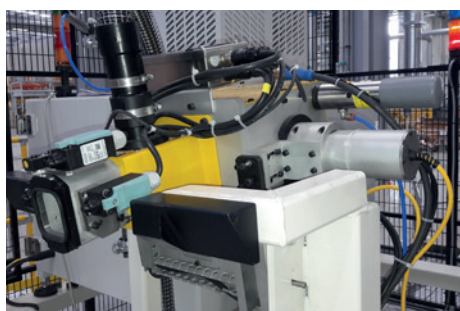
- Small size
- Built-in communication cards and memory
- No PC required to operate on the line



LASER MARKING EXAMPLES

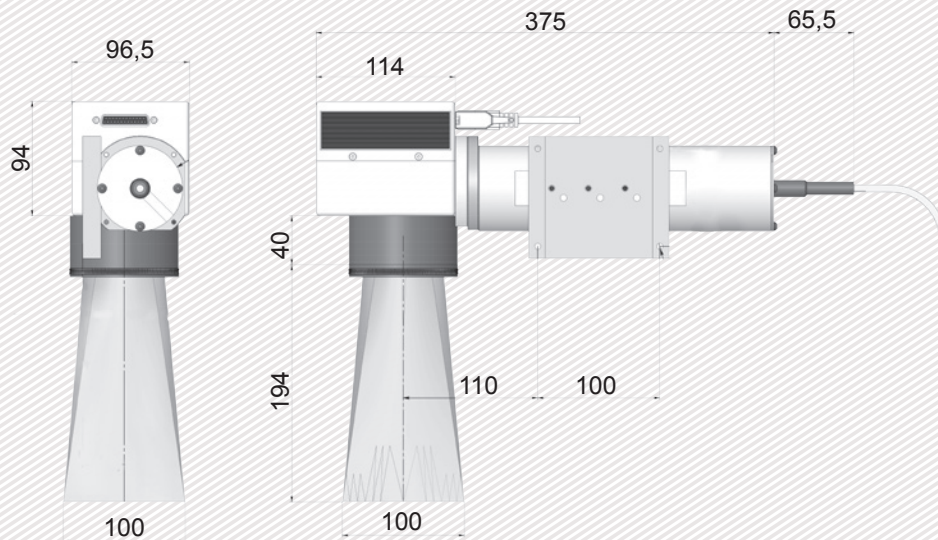


APPLICATIONS



MECHANICAL FEATURES

i103 Easy	
Marking window	<input type="checkbox"/> 60 mm <input type="checkbox"/> 100 mm <input type="checkbox"/> 170 mm (for other, consult us)
Weight	Fiber Unit controller: 19 kg - Marking head: 5kg
Consumption	750W
Security	Class 4 Laser (EN60825-1 standard) to secure
Software	SIC laser ADVANCED



FIBER UNIT CONTROLLER



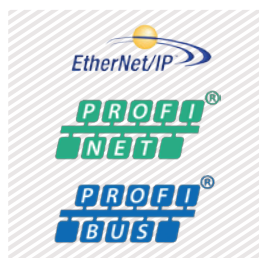
- + Control of digital axis (linear or rotating)
- + Laser driven by «SIC LASER» software
- + USB interface, Windows environment

- Operating method: pulsed (variable frequency)
- Consumption: 750 W
- Wavelength: 1 064 nm
- Average power: 20 W or 30 W (other, please contact us)
- Peak power: 10 kW
- Cooling: air only
- Warranty: 2 year

OPTIONS



Extraction and filtration systems



Communication cards



Integrated vision system



Multi-level marking



HD marking (strong contrast on special alloys, plastics ...)